

# Products Data Sheet

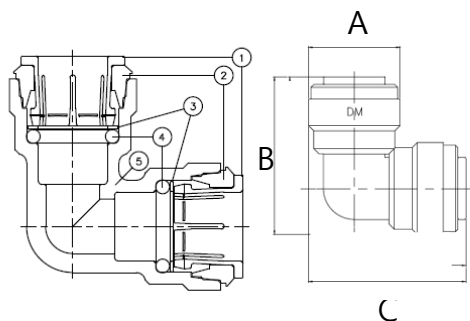
**DMfit**<sup>®</sup>

## EU - Elbow Union

- Our products are widely used in water purification, food/beverage and pneumatic systems
- Providing quick and convenient assembly saving time & expense
- Can be assembled & disassembled repeatedly

### • Working Pressure @ Temperature

- 4,5,6,8 mm  
16 Bar @ 1°C (34°F) ~ 20°C (68°F)  
10 Bar @ 65°C (150°F)
- 10,12,15,16,18,22,28 mm  
11 Bar @ 1°C (34°F) ~ 20°C (68°F)  
7 Bar @ 65°C (150°F)



### Material Specifications

No.	Desc.	Materials
1	CLIP	POM+STS
2	CAP	POM
3	SUPPORT RING	POM
4	O-RING	EPDM
5	BODY	POM

UNIT : mm / Tolerance : ± 0.2mm

Part No.	Tube O.D(mm)	Tube O.D(mm)	A	B	C
AEU 0404M	4	4	13	23.1	23.1
AEU 0505M	5	5	13	23.6	23.6
AEU 0606M	6	6	15	27.3	27.3
AEU 0804M	8	4	17.5	27.77	29.19
AEU 0805M	8	5	17.5	27.77	29.69
AEU 0806M	8	6	17.5	28.8	29.7
AEU 0808M	8	8	17.6	29.9	29.9
AEU 1005M	10	5	19.9	28.5	31.3
AEU 1006M	10	6	19.9	30.9	33.2
AEU 1008M	10	8	19.9	35.1	35.1
AEU 1010M	10	10	19.9	35.29	35.29
AEU 1206M	12	6	17.5	34.2	43.1
AEU 1208M	12	8	17.5	34.6	43.1
AEU 1210M	12	10	23	41.05	41.3
AEU 1212M	12	12	22.7	42.6	42.6
AEU 1515M	15	15	28	51.5	51.5
AEU 1616M	16	16	28	47.65	47.65
AEU 1818M	18	18	32	44	44
AEU 2215M	22	15	35.5	55.7	58.75
AEU 2216M	22	16	35.5	55.7	58.75
AEU 2222M	22	22	35.5	63.95	63.95
AEU 2828M	28	28	46.6	76.2	76.2

- Comply to ISO9001/14001
- WRAS
- NSF/ANSI-51/61
- FDA



©2017 DMT CO., LTD.